

**Features:**

- ✧ Small Size (3.2 x 1.5 x 1.0 mm)
- ✧ Industry Standard Footprint
- ✧ Compatible with IR Solder Process
- ✧ Available in 8 mm tape on 178 mm Diameter Reels
- ✧ Side emitting
- ✧ Several Colors Available
- ✧ Bi-Color

**Applications:**

- ✧ LCD backlighting
- ✧ Push-button / Keypad backlighting
- ✧ Symbol backlighting

**Absolute Maximum Ratings at T<sub>A</sub> = 25°C**

Reverse Voltage (<100 μA) .....	5.0V
D.C. Forward Current .....	30mA
Pulse Current (1/10 Duty Cycle, 0.1ms Pulse Width) .....	100mA
Operating Temperature Range .....	-30°C To +85°C
Storage Temperature Range .....	-40°C To +85°C
Soldering Temperature .....	260°C For 5 Sec.

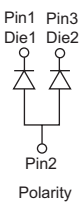
- ✧ Strip lighting
- ✧ Automobile front panel indicating and backlighting
- ✧ Miniature Dot Matrix displays

**Electrical / Optical Characteristics at T<sub>A</sub> = 25°C**

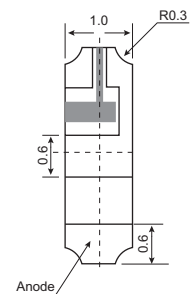
Part Number	LED Chip		Lens Color	Peak WaveLength @20 mA (nm)	Forward Voltage @20mA (V)		Luminous Intensity @20mA Iv(mcd)		View Angle 2θ1/2(Deg)
	Material	Emitting Color			Typ.	Max.	Min.	Typ.	
GB-SM2204EVGC-TR	GaAsP	Red	W.C.	642	2.1	2.6	3.6	9.0	120
	GaP	SB Yellow Green		568	2.2	2.6	9.0	16.0	120
GB-SM2204VYVGC-TR	GaAsP	SB Yellow		589	2.1	2.6	5.6	9.0	120
	GaP	SB Yellow Green		568	2.2	2.6	9.0	16.0	120
GB-SM2204AVGC-TR	GaAsP	Amber		610	2.1	2.6	3.6	9.0	120
	GaP	SB Yellow Green		568	2.2	2.6	9.0	16.0	120
GB-SM2204USUGC-TR	AllnGaP	Red		636	1.9	2.4	56.0	120	120
	AllnGaP	UB Yellow Green		574	2.0	2.4	25.0	60.0	120
GB-SM2204UYUGC-TR	AllnGaP	UB Yellow		593	1.9	2.4	36.0	120	120
	AllnGaP	UB Yellow Green		574	2.0	2.4	25.0	60.0	120
GB-SM2204UAUGC-TR	AllnGaP	UB Amber		609	1.9	2.4	56.0	120	120
	AllnGaP	UB Yellow Green		574	2.0	2.4	25.0	60.0	120
GB-SM2204USUBC-TR	AllnGaP	Red		636	1.9	2.4	56.0	120	120
	InGaN	Blue		468	3.3	3.9	36.0	60.0	120
GB-SM2204UYUBC-TR	AllnGaP	UB Yellow		593	1.9	2.4	36.0	120	120
	InGaN	Blue		468	3.3	3.9	36.0	60.0	120
GB-SM2204UAUGC-TR	AllnGaP	UB Amber		609	1.9	2.4	56.0	120	120
	InGaN	Blue		468	3.3	3.9	36.0	60.0	120

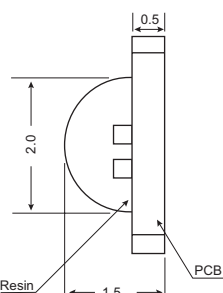
W.C. = WATER CLEAR

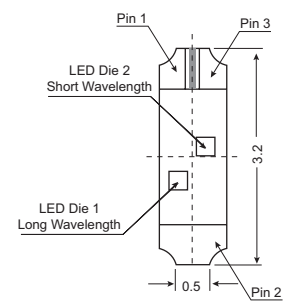
**Package Outline And Tape Dimension**



Pin1 Pin3  
Die1 Die2  
Pin2  
Polarity







☆ 1. Soldering terminal may shift in x, y direction.  
2. Common Anode

NOTE: ALL DIMENSIONS ARE IN mm, TOLERANCE IS ± 0.1mm UNLESS OTHERWISE NOTED.

3,000 pcs per Reel