

DESCRIPTION:

The 503 series is a 2 x 4 x 7mm rectangular package which is easily stacked in arrays or used for discrete front panel indicator.

GaP for (503HD, 503GD)

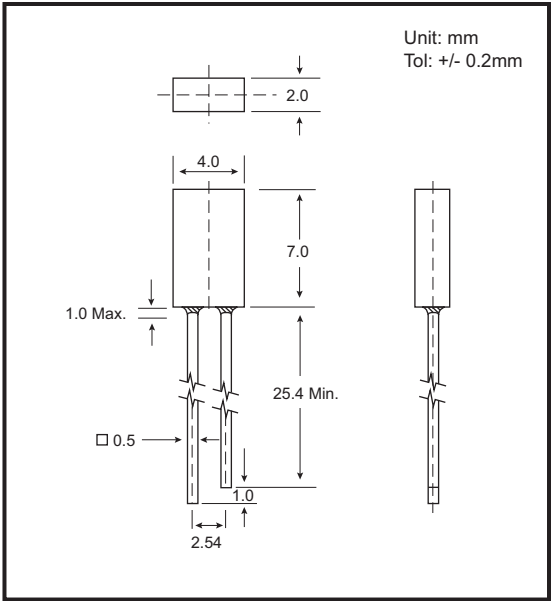
GaAsP/GaP for (503RHD/YD/SD)

ABSOLUTE MAXIMUM RATINGS: (Ta=25°C)

Reverse Voltage	5 Volt
Reverse Current (Vr =5V)	100µA
Operating Temperature Range	-40°C To 85°C
Storage Temperature Range	-40°C To 100°C
Lead Soldering Temperature (1.6mm (1/16)From Body)	260°C For 5 Seconds

- NOTES : 1. All dimensions are in millimeters.
 2. Lead spacing is measured where the leads emerge from the package.
 3. Protuded resin under flange is 1.5 mm (0.059") Max.
 4. Specifications are subject to change without notice.

PACKAGE DIMENSIONS



PART NO. SELECTION AND APPLICATION INFORMATION (RATINGS AT 25°C AMBIENT)

Part No.	Emitted Color	Lens Color	Peak Wavelength λp (nm)	Vf (v)		Rec. If (mA).	Iv (mcd)		View Angle 2θ1/2(Deg)
				Min	Max		Min	Typ.	
GB-503HD	Red	Red Diffused	697	1.7	2.6	5-10	2.2	3.5	150
GB-503RHD	Bright Red	Red Diffused	660	1.7	2.6	10-20	5.0	8.0	150
GB-503GD	Green	Green Diffused	565	1.7	2.6	10-20	2.5	4.0	150
GB-503YD	Yellow	Yellow Diffused	585	1.7	2.6	10-20	2.5	4.0	150
GB-503SD	Orange	Orange Diffused	610	1.7	2.6	10-20	4.0	6.4	150

TESTING CONDITION FOR EACH PARAMETER :

PARAMETER:	SYMBOL	UNIT	TEST CONDITION
REVERSE VOLTAGE	Vr	VOLT	Vr = 5.0 Volt If = 20mA If = 20mA
REVERSE CURRENT	Ir	µA	
FORWARD VOLTAGE	Vf	VOLT	
LUMINOUS INTENSITY	Iv	MCD	
VIEWING ANGLE	2θ1/2	DEGREE	
RECOMMENDED OPERATING CURRENT	If (Rec)	mA	

