

DESCRIPTION:

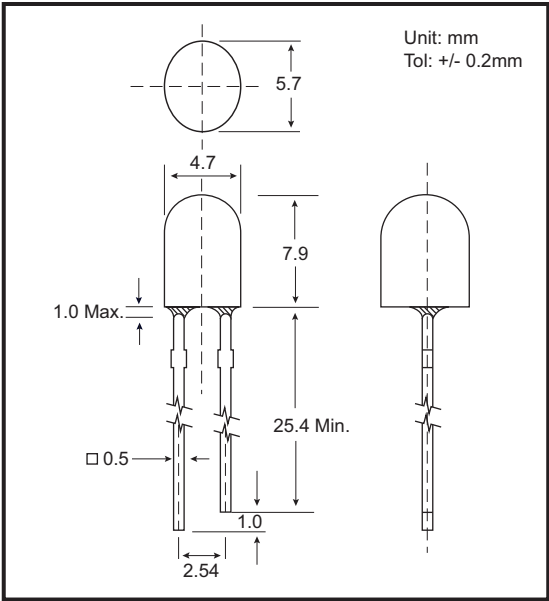
The 623 series is oval type specially designed for full color video and information signs. These devices are excellent for outdoor application where a wide viewing angle and readability in sunlight are essential.

The semi-conductor materials used are:

GaP for (623HD/HT, 623GC/GD/GT)

GaAsP/GaP for (623RHC/RHD/RHT, 623YC/YD/YT and 623SD)

PACKAGE DIMENSIONS



ABSOLUTE MAXIMUM RATINGS: (Ta=25°C)

| | |
|--|---------------------|
| Reverse Voltage | 5 Volt |
| Reverse Current (Vr =5V) | 100µA |
| Operating Temperature Range | -40°C To 85°C |
| Storage Temperature Range | -40°C To 100°C |
| Lead Soldering Temperature (1.6mm (1/16)From Body) | 260°C For 5 Seconds |

- NOTES : 1. All dimensions are in millimeters.
 2. Lead spacing is measured where the leads emerge from the package.
 3. Protuded resin under flange is 1.5 mm (0.059") Max.
 4. Specifications are subject to change without notice.

PART NO. SELECTION AND APPLICATION INFORMATION (RATINGS AT 25°C AMBIENT)

| Part No. | Emitted Color | Lens Color | Peak Wavelength λp (nm) | Vf (v) | | Rec. If (mA). | Iv (mcd) | | View Angle 2θ1/2(Deg) |
|-----------|---------------|-----------------|-------------------------|--------|-----|---------------|----------|------|----------------------------|
| | | | | Min | Max | | Min | Typ. | |
| GB-623HD | Red | Red Diffused | 697 | 1.7 | 2.6 | 5-10 | 1.0 | 3.0 | X-AXIS = 76 Y-AXIS = 35 |
| GB-623RHD | Bright Red | Red Diffused | 660 | 1.7 | 2.6 | 10-20 | 2.5 | 10.0 | X-AXIS = 76 Y-AXIS = 35 |
| GB-623GD | Green | Green Diffused | 565 | 1.7 | 2.6 | 10-20 | 2.5 | 10.0 | X-AXIS = 76 Y-AXIS = 35 |
| GB-623YD | Yellow | Yellow Diffused | 585 | 1.7 | 2.6 | 10-20 | 2.5 | 10.0 | X-AXIS = 76 Y-AXIS = 35 |
| GB-623SD | Orange | Orange Diffused | 610 | 1.7 | 2.6 | 10-20 | 2.5 | 10.0 | X-AXIS = 76 Y-AXIS = 35 |
| GB-623HT | Red | Red Trans. | 697 | 1.7 | 2.6 | 5-10 | 1.0 | 15.0 | X-AXIS = 54 Y-AXIS = 25 |
| GB-623RHT | Bright Red | Red Trans. | 660 | 1.7 | 2.6 | 10-20 | 6.0 | 30.0 | X-AXIS = 54 Y-AXIS = 25 |
| GB-623GT | Green | Green Trans. | 565 | 1.7 | 2.6 | 10-20 | 6.0 | 30.0 | X-AXIS = 54 Y-AXIS = 25 |
| GB-623YT | Yellow | Yellow Trans. | 585 | 1.7 | 2.6 | 10-20 | 6.0 | 30.0 | X-AXIS = 54 Y-AXIS = 25 |
| GB-623RHC | Bright Red | Water Clear | 660 | 1.7 | 2.6 | 10-20 | 6.0 | 30.0 | X-AXIS = 54 Y-AXIS = 25 |
| GB-623GC | Green | Water Clear | 565 | 1.7 | 2.6 | 10-20 | 6.0 | 30.0 | X-AXIS = 54 Y-AXIS = 25 |
| GB-623YC | Yellow | Water Clear | 585 | 1.7 | 2.6 | 10-20 | 6.0 | 30.0 | X-AXIS = 54 Y-AXIS = 25 |

TESTING CONDITION FOR EACH PARAMETER :

| PARAMETER: | SYMBOL | UNIT | TEST CONDITION |
|-------------------------------|----------|--------|----------------|
| REVERSE VOLTAGE | Vr | VOLT | Vr = 5.0 Volt |
| REVERSE CURRENT | Ir | µA | If = 20mA |
| FORWARD VOLTAGE | Vf | VOLT | If = 20mA |
| LUMINOUS INTENSITY | Iv | MCD | If = 20mA |
| VIEWING ANGLE | 2θ1/2 | DEGREE | |
| RECOMMENDED OPERATING CURRENT | If (Rec) | mA | |

