

DESCRIPTION:

The 333/F series is widely used in general purpose indicator applications. It is in popular 5mm diameter package and with stand-offs.

The semi-conductor materials used are:

GaP for (333HD/F, HT/F, GC/F, GD/F, GT/F)

GaAsP/GaP for (333RHC/F, RHD/F, RHT/F, YC/F, YD/F, YT/F and 333SD/F)

ABSOLUTE MAXIMUM RATINGS: (Ta=25°C)

Reverse Voltage	5 Volt
Reverse Current (Vr =5V)	100µA
Operating Temperature Range	-40°C To 85°C
Storage Temperature Range	-40°C To 100°C
Lead Soldering Temperature (1.6mm (1/16)From Body)	260°C For 5 Seconds

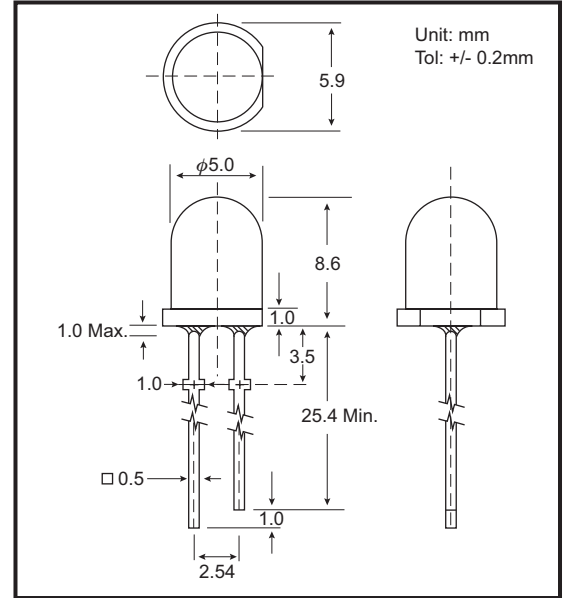
NOTES : 1. All dimensions are in millimeters.

2. Lead spacing is measured where the leads emerge from the package.

3. Protuded resin under flange is 1.5 mm (0.059") Max.

4. Specifications are subject to change without notice.

PACKAGE DIMENSIONS



PART NO. SELECTION AND APPLICATION INFORMATION (RATINGS AT 25°C AMBIENT)

Part No.	Emitted Color	Lens Color	Peak Wavelength λp (nm)	Vf (v)		Rec. If (mA).	Iv (mcd)		View Angle 2θ1/2(Deg)
				Min	Max		Min	Typ.	
GB-333HD/F	Bright Red	Red Diffused	697	1.7	2.6	5-10	1.1	3.7	36
GB-333RHD/F	Bright Red	Red Diffused	660	1.7	2.6	10-20	5.6	19.0	36
GB-333GD/F	Green	Green Diffused	565	1.7	2.6	10-20	5.6	19.0	36
GB-333YD/F	Yellow	Yellow Diffused	585	1.7	2.6	10-20	5.6	19.0	36
GB-333SD/F	Orange	Orange Diffused	610	1.7	2.6	10-20	8.7	29.0	36
GB-333HT/F	Bright Red	Red Trans.	697	1.7	2.6	5-10	5.6	19.0	16
GB-333RHT/F	Bright Red	Red Trans.	660	1.7	2.6	10-20	29.0	90.0	16
GB-333GT/F	Green	Green Trans.	565	1.7	2.6	10-20	19.0	60.0	16
GB-333YT/F	Yellow	Yellow Trans.	585	1.7	2.6	10-20	29.0	90.0	16
GB-333RHC/F	Bright Red	Water Clear	660	1.7	2.6	10-20	29.0	90.0	16
GB-333GC/F	Green	Water Clear	565	1.7	2.6	10-20	19.0	60.0	16
GB-333YC/F	Yellow	Water Clear	585	1.7	2.6	10-20	29.0	90.0	16

TESTING CONDITION FOR EACH PARAMETER :

PARAMETER:	SYMBOL	UNIT	TEST CONDITION
REVERSE VOLTAGE	Vr	VOLT	Vr = 5.0 Volt
REVERSE CURRENT	Ir	µA	If = 20mA
FORWARD VOLTAGE	Vf	VOLT	If = 20mA
LUMINOUS INTENSITY	Iv	MCD	If = 20mA
VIEWING ANGLE	2θ1/2	DEGREE	
RECOMMENDED OPERATING CURRENT	If (Rec)	mA	

