

DESCRIPTION:

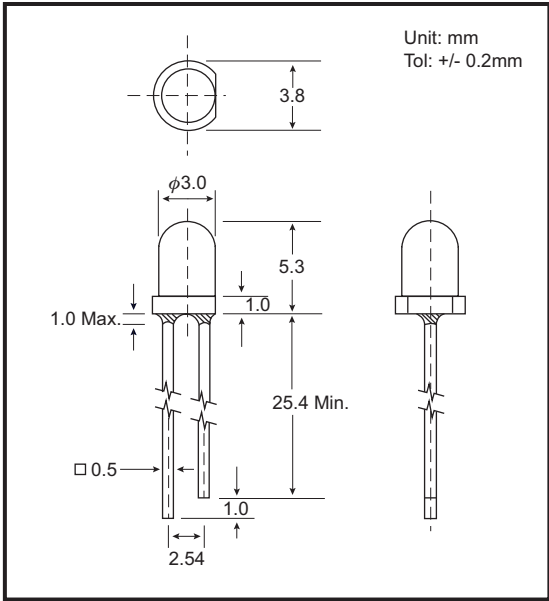
The 224 Mega Bright series is conventional LED Lamps utilizing higher intensity material to achieve the brightest performance.
 The semi-conductor materials used are:
 AlGaInP for (224RTSC, 224YTSC)
 InGaN for (224B472C, 224BG2C, 224PG2C, 224W2C)

ABSOLUTE MAXIMUM RATINGS: (Ta=25°C)

Reverse Voltage	5 Volt
Reverse Current (Vr =5V)	100µA
Operating Temperature Range	-40°C To 85°C
Storage Temperature Range	-40°C To 100°C
Lead Soldering Temperature (1.6mm (1/16)From Body)	260°C For 5 Seconds

- NOTES : 1. All dimensions are in millimeters.
 2. Lead spacing is measured where the leads emerge from the package.
 3. Protuded resin under flange is 1.5 mm (0.059") Max.
 4. Specifications are subject to change without notice.

PACKAGE DIMENSIONS



PART NO. SELECTION AND APPLICATION INFORMATION (RATINGS AT 25°C AMBIENT)

Part No.	Emitted Color	Lens Color	Peak Wavelength λp (nm)	Vf (v)		Rec. If (mA)	Iv (mcd)		View Angle 2θ1/2(Deg)
				Min	Max		Min	Typ.	
GB-224RTSC	Ultra Red	Water Clear	635	2.0	2.8	10-20	2100.0	3000.0	18
GB-224YTSC	Ultra Yellow	Water Clear	590	2.0	2.8	10-20	2100.0	3000.0	18
GB-224B472C	Blue	Water Clear	470	2.8	4.5	10-20	1000.0	2200.0	18
GB-224BG2C	Bluish Green	Water Clear	505	2.8	4.5	10-20	2200.0	4900.0	18
GB-224PG2C	Pure Green	Water Clear	525	2.8	4.5	10-20	2200.0	4900.0	18
GB-224W2C	White	Water Clear	TYPICAL CHROMATICITY COORDINATES	3.0	4.5	10-20	2000.0	3000.0	18
			X 0.31 Y 0.32						
GB-224W3C	White	Water Clear	TYPICAL CHROMATICITY COORDINATES	3.0	4.5	10-20	8000.0	10000.0	18
			X 0.31 Y 0.32						
GB-224L2C	Warm White	Water Clear	TYPICAL CHROMATICITY COORDINATES	3.0	4.5	10-20	1000.0	2000.0	18
			X 0.42 Y 0.39						

CAUTION: Handling with care against static electricity

TESTING CONDITION FOR EACH PARAMETER :

PARAMETER:	SYMBOL	UNIT	TEST CONDITION
REVERSE VOLTAGE	Vr	VOLT	Vr = 5.0 Volt If = 20mA If = 20mA If = 20mA
REVERSE CURRENT	Ir	µA	
FORWARD VOLTAGE	Vf	VOLT	
LUMINOUS INTENSITY	Iv	MCD	
VIEWING ANGLE	2θ1/2	DEGREE	
RECOMMENDED OPERATING CURRENT	If (Rec)	mA	

NOTE : The typical emission color (White) is described by the chromaticity coordinates X=0.31, Y=0.32 using the CIE Chromaticity Diagram.

