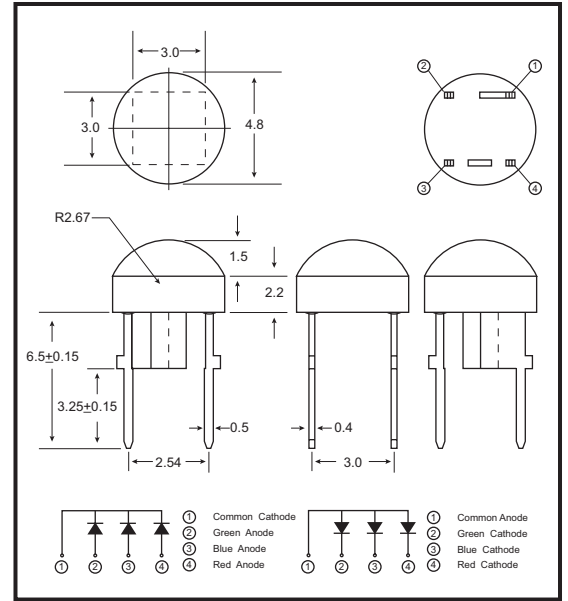


ABSOLUTE MAXIMUM RATINGS: (Ta=25°C)

Reverse Voltage	5 Volt
Reverse Current (Vr =5V)	100μA
Operating Temperature Range	-40°C To 85°C
Storage Temperature Range	-40°C To 100°C
Lead Soldering Temperature (1.6mm (1/16)From Body)	260°C For 5 Seconds

- NOTES : 1. All dimensions are in millimeters.
 2. Lead spacing is measured where the leads emerge from the package.
 3. Protuded resin under flange is 1.0 mm (0.04") Max.
 4. Specifications are subject to change without notice.

PACKAGE DIMENSIONS



PART NO. SELECTION AND APPLICATION INFORMATION (RATINGS AT 25°C AMBIENT)

Part No.	Emitted Color	Chip Material	Lens Color	Peak Wavelength λp (nm)	Vf (v)		Rec. If (mA).	Iv (mcd)		View Angle 2θ1/2(Deg)
					Min	Max		Min	Typ.	
GB-U42RPGBC (Common Cathode Type)	Red	AlGaInP	Water Clear	635	1.8	2.35	20	50	100	120
	True Green	InGaN		525	2.8	4.0	20	210	450	120
	Blue	InGaN		468	2.8	4.0	20	50	100	120
GB-U42RPGBC-A (Common Anode Type)	Red	AlGaAs	Water Clear	660	1.6	2.6	20	50	100	120
	True Green	InGaN		525	2.8	4.0	20	210	450	120
	Blue	InGaN		468	2.8	4.0	20	50	100	120

TESTING CONDITION FOR EACH PARAMETER :

PARAMETER:	SYMBOL	UNIT	TEST CONDITION
REVERSE VOLTAGE	Vr	VOLT	Vr = 5.0 Volt
REVERSE CURRENT	Ir	μA	If = 20mA
FORWARD VOLTAGE	Vf	VOLT	If = 20mA
LUMINOUS INTENSITY	Iv	MCD	If = 20mA
VIEWING ANGLE	2θ1/2	DEGREE	
RECOMMENDED OPERATING CURRENT	If (Rec)	mA	

SPATIAL DISTRIBUTION :

