

DESCRIPTION:

The 483 series is cylindrical type in 3mm diameter with inverted cone top resulting in a very wide angle effect.

This series is most suitable for panel display.

The semi-conductor materials used are:

GaP for (483VGC/VGT)

GaAsP/GaP for (483VYC/VYT)

AlGaInP for (483UIC)

GaAlAs for (483UR1C, 483HR3C)

ABSOLUTE MAXIMUM RATINGS: (Ta=25°C)

| | |
|---|---------------------|
| Reverse Voltage | 5 Volt |
| Reverse Current (Vr =5V) | 100µA |
| Operating Temperature Range | -40°C To 85°C |
| Storage Temperature Range | -40°C To 100°C |
| Lead Soldering Temperature (1.6mm (1/16)From Body) | 260°C For 5 Seconds |

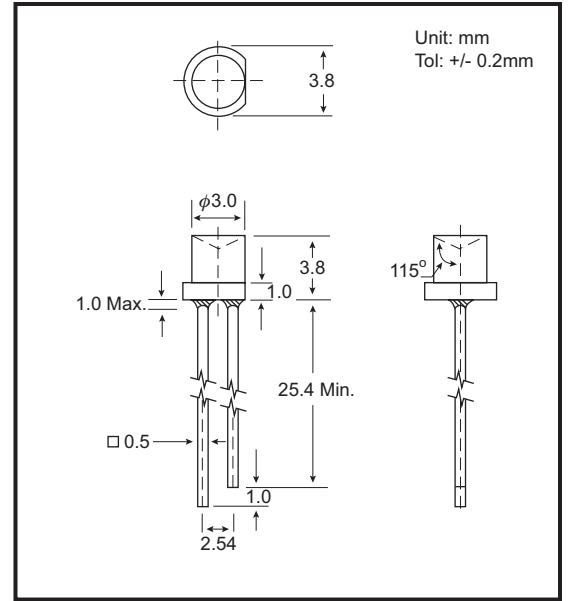
NOTES : 1. All dimensions are in millimeters.

2. Lead spacing is measured where the leads emerge from the package.

3. Protuded resin under flange is 1.5 mm (0.059") Max.

4. Specifications are subject to change without notice.

PACKAGE DIMENSIONS



PART NO. SELECTION AND APPLICATION INFORMATION (RATINGS AT 25°C AMBIENT)

| Part No. | Emitted Color | Lens Color | Peak Wavelength λp (nm) | Vf (v) | | Rec. If (mA). | Iv (mcd) | | View Angle 2θ1/2(Deg) |
|------------|---------------|---------------|-------------------------|--------|-----|---------------|----------|------|-----------------------|
| | | | | Min | Max | | Min | Typ. | |
| GB-483VGT | Super Green | Green Trans. | 565 | 1.7 | 2.6 | 10-20 | 8.6 | 1.0 | 160 |
| GB-483VYT | Super Yellow | Yellow Trans. | 585 | 1.7 | 2.6 | 10-20 | 7.7 | 9.0 | 160 |
| GB-483HR3C | Super Red | Water Clear | 640 | 1.5 | 2.6 | 10-20 | 13.0 | 15.0 | 160 |
| GB-483UR1C | Super Red | Water Clear | 660 | 1.5 | 2.6 | 10-20 | 34.0 | 40.0 | 160 |
| GB-483UIC | Ultra Red | Water Clear | 640 | 1.7 | 2.6 | 10-20 | 68.0 | 80.0 | 160 |
| GB-483VGC | Super Green | Water Clear | 565 | 1.7 | 2.6 | 10-20 | 8.6 | 1.0 | 160 |
| GB-483VYC | Super Yellow | Water Clear | 585 | 1.7 | 2.6 | 10-20 | 7.7 | 9.0 | 160 |

TESTING CONDITION FOR EACH PARAMETER :

| PARAMETER: | SYMBOL | UNIT | TEST CONDITION |
|-------------------------------|----------|--------|----------------|
| REVERSE VOLTAGE | Vr | VOLT | Vr = 5.0 Volt |
| REVERSE CURRENT | Ir | µA | If = 20mA |
| FORWARD VOLTAGE | Vf | VOLT | If = 20mA |
| LUMINOUS INTENSITY | Iv | MCD | If = 20mA |
| VIEWING ANGLE | 2θ1/2 | DEGREE | |
| RECOMMENDED OPERATING CURRENT | If (Rec) | mA | |

