

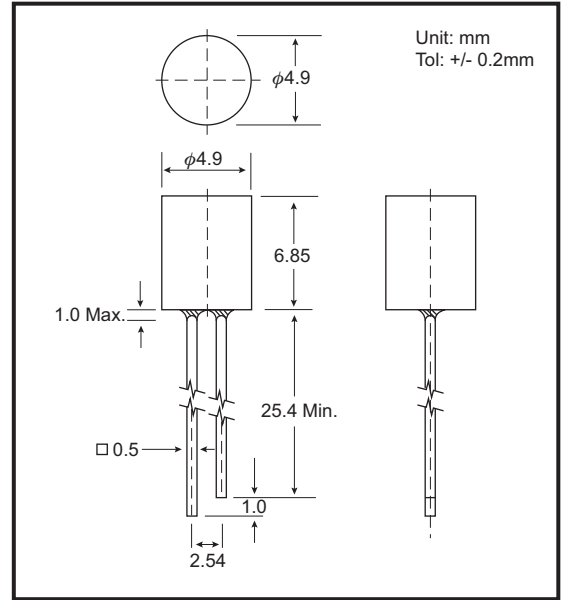
DESCRIPTION:

The 423 series is cylindrical type in 4.9mm diameter and without flange.
The semi-conductor materials used are:
GaP for (423HD, 423GD/GT)
GaAsP/GaP for (423RHD/RHT, 423YD/YT and 423SD/ST)

ABSOLUTE MAXIMUM RATINGS: (Ta=25°C)

Reverse Voltage	5 Volt
Reverse Current (Vr =5V)	100μA
Operating Temperature Range	-40°C To 85°C
Storage Temperature Range	-40°C To 100°C
Lead Soldering Temperature (1.6mm (1/16)From Body)	260°C For 5 Seconds

- NOTES : 1. All dimensions are in millimeters.
2. Lead spacing is measured where the leads emerge from the package.
3. Protuded resin under flange is 1.5 mm (0.059") Max.
4. Specifications are subject to change without notice.

PACKAGE DIMENSIONS

PART NO. SELECTION AND APPLICATION INFORMATION (RATINGS AT 25°C AMBIENT)

Part No.	Emitted Color	Lens Color	Peak Wavelength λp (nm)	Vf (v)		Rec. If (mA)	Iv (mcd)		View Angle 2θ1/2(Deg)
				Min	Max		Min	Typ.	
GB-423HD	Red	Red Diffused	697	1.7	2.6	5-10	0.3	0.5	90
GB-423RHD	Bright Red	Red Diffused	660	1.7	2.6	10-20	0.4	1.2	90
GB-423GD	Green	Green Diffused	565	1.7	2.6	10-20	0.4	1.2	90
GB-423YD	Yellow	Yellow Diffused	585	1.7	2.6	10-20	0.4	1.2	90
GB-423SD	Orange	Orange Diffused	610	1.7	2.6	10-20	0.4	1.2	90
GB-423RHT	Bright Red	Red Trans.	660	1.7	2.6	10-20	0.4	1.6	70
GB-423GT	Green	Green Trans.	565	1.7	2.6	10-20	0.6	1.7	70
GB-423YT	Yellow	Yellow Trans.	585	1.7	2.6	10-20	0.6	1.7	70
GB-423ST	Orange	Orange Trans.	610	1.7	2.6	10-20	0.6	1.7	70

TESTING CONDITION FOR EACH PARAMETER :

PARAMETER:	SYMBOL	UNIT	TEST CONDITION
REVERSE VOLTAGE	Vr	VOLT	Vr = 5.0 Volt
REVERSE CURRENT	Ir	μA	If = 20mA
FORWARD VOLTAGE	Vf	VOLT	If = 20mA
LUMINOUS INTENSITY	Iv	MCD	If = 20mA
VIEWING ANGLE	2θ1/2	DEGREE	
RECOMMENDED OPERATING CURRENT	If (Rec)	mA	

