

**DESCRIPTION:**

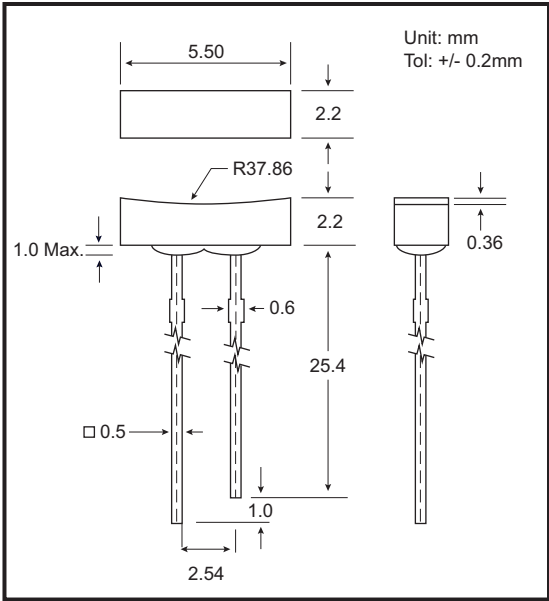
The 663 series is side looking LED Lamps and is most suitably used for LCD back light with excellent uniformity of light emitted.  
The semi-conductor materials used are:  
GaP for (663UGC)  
AlGaInP for (663RS2C, 663UY2C, 663UO2C)  
InGaN/Sic for (663B472C, 663PG2C, 663W2C)

**ABSOLUTE MAXIMUM RATINGS: (Ta=25°C)**

Reverse Voltage	5 Volt
Reverse Current (Vr =5V)	100µA
Operating Temperature Range	-40°C To 85°C
Storage Temperature Range	-40°C To 100°C
Lead Soldering Temperature (1.6mm (1/16)From Body)	260°C For 5 Seconds

- NOTES : 1. All dimensions are in millimeters.  
2. Lead spacing is measured where the leads emerge from the package.  
3. Protuded resin under flange is 1.5 mm (0.059") Max.  
4. Specifications are subject to change without notice.

**PACKAGE DIMENSIONS**



**PART NO. SELECTION AND APPLICATION INFORMATION (RATINGS AT 25°C AMBIENT)**

Part No.	Emitted Color	Lens Color	Peak Wavelength λp (nm)	Vf (v)		Rec. If (mA).	Iv (mcd)		View Angle 2θ1/2(Deg)	
				Min	Max		Min	Typ.		
GB-663RS2C	Ultra Red	Water Clear	635	1.7	2.6	20	70.0	180.0	106	
GB-663UGC	Ultra Green	Water Clear	570	1.7	2.6	20	23.0	59.0	106	
GB-663UY2C	Ultra Yellow	Water Clear	590	1.7	2.6	20	96.0	250.0	106	
GB-663UO2C	Amber	Water Clear	610	1.7	2.6	20	42.0	110.0	106	
GB-663B472C	Blue	Water Clear	470	2.8	4.5	20	100.0	260.0	106	
GB-663PG2C	Pure Green	Water Clear	525	2.8	4.5	20	180.0	450.0	106	
GB-663W2C	White	Water Clear	TYPICAL CHROMATICITY COORDINATES		2.8	4.5	20	180.0	450.0	106
			X	0.3						

CAUTION: Handle with care against static electricity

**TESTING CONDITION FOR EACH PARAMETER :**

PARAMETER:	SYMBOL	UNIT	TEST CONDITION
REVERSE VOLTAGE	Vr	VOLT	Vr = 5.0 Volt
REVERSE CURRENT	Ir	µA	If = 20mA
FORWARD VOLTAGE	Vf	VOLT	If = 20mA
LUMINOUS INTENSITY	Iv	MCD	If = 20mA
VIEWING ANGLE	2θ1/2	DEGREE	
RECOMMENDED OPERATING CURRENT	If (Rec)	mA	

