

### DESCRIPTION:

The KW1-1201XY series is large multi-color single digit display in 1.20 inch (30.40mm) height with right DP designed for accurate readable displays need to be viewed over a distance.

This series is suitable for use in instruments, digital readout displays. All devices are available as either common anode or common cathode.

### ABSOLUTE MAXIMUM RATINGS: (Ta=25°C)

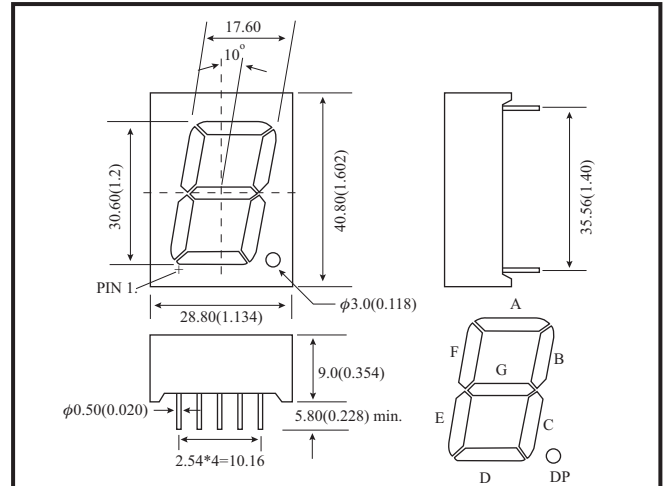
Parameter	Max
Reverse Voltage per segment	5 V
Reverse Current per segment (Vr = 5V)	100μA
Derating Linear from 25°C per segment	0.4mA/°C
Operating Temperature Range	-40°C To 85°C
Storage Temperature Range	-40°C To 100°C
Soldering Temperature 1.6mm(1/16") from body for 5 sec. at 260°C	

- NOTES : 1. All dimensions are in millimeters (inches).  
 2. Tolerance is ±0.25mm(0.010) unless otherwise specified.  
 3. Specifications are subject to change without notice.  
 4. NP: No Pin.  
 5. NC: No Connect.

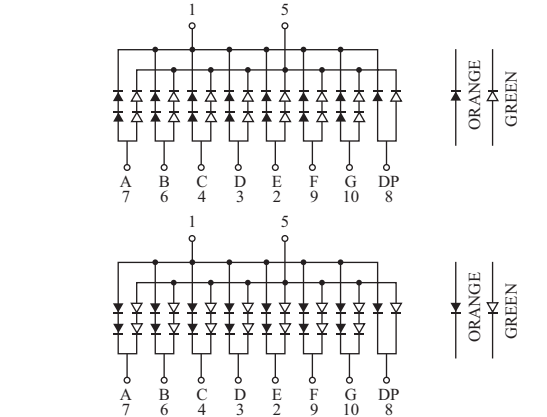
### TESTING CONDITION FOR EACH PARAMETER :

Parameter	Symbol	Unit	Test Condition
Forward Voltage	Vf	V	If=20mA
Peak Emission Wave Length	λp	nm	If=20mA
Spectral Line Half-Width	Δλ	nm	If=20mA
Reverse Current	Ir	μA	Vr=5V
Average Luminous Intensity	Iv	μ cd	If=10mA

### PACKAGE DIMENSIONS



### INTERNAL CIRCUIT DIAGRAM



### PART NO. SELECTION AND APPLICATION INFORMATION (RATINGS AT 25°C AMBIENT)

Part No.	Chip		C.C or C.A	Wave Length λp (nm)	Absolute Maximum Ratings				Electro-optical Data(at 10mA)						
	Raw Material	Emitted Color			Δλ (nm)	Pd (mW)	If (mA)	If (Peak) (mA)	Vf (V) Per Segment			If (Rec) (mA)	Iv (μcd) Per Segment		
									Min.	Typ.	Max.		Min.	Typ.	
KW1-1201A32	GaAsP/GaP	Hi-Eff Red	Common Anode	635	45	100	50	100	3.4	3.8	5.2	10-20	1600	4200	
	GaP	Green		565	30	100	50	100	3.4	4.4	5.2	10-20	1200	4000	
KW1-1201ASG	GaAlAs	Super Red		660	20	100	50	100	3.0	3.8	5.2	10-20	10000	40000	
	GaP	Super Green		570	30	100	50	100	3.4	4.4	5.2	10-20	1350	4500	
KW1-1201A26	GaAsP/GaP	Yellow		585	30	100	50	100	3.4	3.8	5.2	10-20	1200	3200	
	GaP	Green		565	30	100	50	100	3.4	4.4	5.2	10-20	1200	4000	
KW1-1201C32	GaAsP/GaP	Hi-Eff Red		Common Cathode	635	45	100	50	100	3.4	3.8	5.2	10-20	1600	4200
	GaP	Green			565	30	100	50	100	3.4	4.4	5.2	10-20	1200	4000
KW1-1201CSG	GaAlAs	Super Red			660	20	100	50	100	3.0	3.8	5.2	10-20	10000	40000
	GaP	Super Green			570	30	100	50	100	3.4	4.4	5.2	10-20	1350	4500
KW1-1201C26	GaAsP/GaP	Yellow			585	30	100	50	100	3.4	3.8	5.2	10-20	1200	3200
	GaP	Green			565	30	100	50	100	3.4	4.4	5.2	10-20	1200	4000

- REMARKS : 1. The average luminous intensity is obtained by summing the luminous intensity of each segment and dividing by the total number of segments.  
 2. Luminous intensity is measured with a light sensor and filter combination that approximates the CIE (International Commission on Illumination) eye-response curve.  
 3. Clean only by pure water, isopropanol, ethanol, Freon TF (or equivalent).