

### DESCRIPTION:

The IRM-8751 series is a miniature type infrared remote control system receiver which has been developed and designed by utilizing the most updated IC technology.

The pin diode and preamplifier are assembled on a single lead frame.

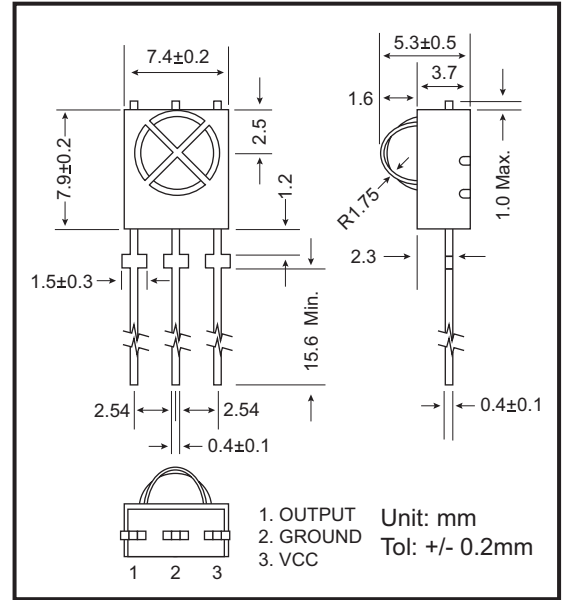
The epoxy package is designed as an IR filter. The demodulated output signal can directly be decoded by a microprocessor.

### ABSOLUTE MAXIMUM RATINGS: (Ta=25°C)

Parameter	Symbol	Max
Supply Voltage	V <sub>cc</sub>	5.3 V
Operating Temperature Range	T <sub>opr</sub>	-10°C To +85°C
Storage Temperature Range	T <sub>stg</sub>	-10°C To +85°C
Lead Soldering Temperature 1.6mm(.06") from body		260°C for 10s to 300°C

- NOTES: 1. All dimensions are in millimeters.  
 2. Lead spacing is measured where the leads emerge from the package.  
 3. Protuded resin under flange is 1.5 mm (0.059") Max.  
 4. Specifications are subject to change without notice.

### PACKAGE DIMENSIONS



### ELECTRO-OPTICAL CHARACTERISTICS (Ta=25°C)

Part No.	Lead Type	Peak Wave Length λ <sub>p</sub> (nm)	B.P.F Center Frequency F <sub>o</sub> (KHz)	Reception Distance (m)		Supply Current I <sub>cc</sub> (mA)	Supply Voltage V <sub>cc</sub> (V)			Half Angle (Horizontal) θ <sub>h</sub>	Half Angle (Vertical) θ <sub>v</sub>
		Typ	Typ	L <sub>o</sub>	L <sub>45</sub>	Max	Min	Typ	Max	Typ	Typ
GB-IRM-8751-2L	Straight	940	37.9	16	7	3	2.4	2.7	5.5	±45	±35
GB-IRM-8751-2F	Bended	940	37.9	16	7	3				±45	±35
GB-IRM-8751-4L	Straight	940	37.9	16	8	3	4.5	5.0	5.5	±45	±35
GB-IRM-8751-4F	Bended	940	37.9	16	8	3				±45	±35

### TESTING CONDITION FOR EACH PARAMETER (Ta=25°C)

Parameter	Symbol	Unit	Test Condition
Supply Voltage	V <sub>cc</sub>	V	DC Voltage
Supply Current	I <sub>cc</sub>	mA	No signal input
Peak Wave Length	λ <sub>p</sub>	nm	From the vertex of receiving surface to ray axis range θ=0° and θ=45°
Reception Distance	L <sub>o</sub> /L <sub>45</sub>	m	
Half Angle (Horizontal)	θ <sub>h</sub>	Deg	
Half Angle (Vertical)	θ <sub>v</sub>	Deg	

